

**SECTION A-A**

# 10.7' DECORATIVE PEDESTAL

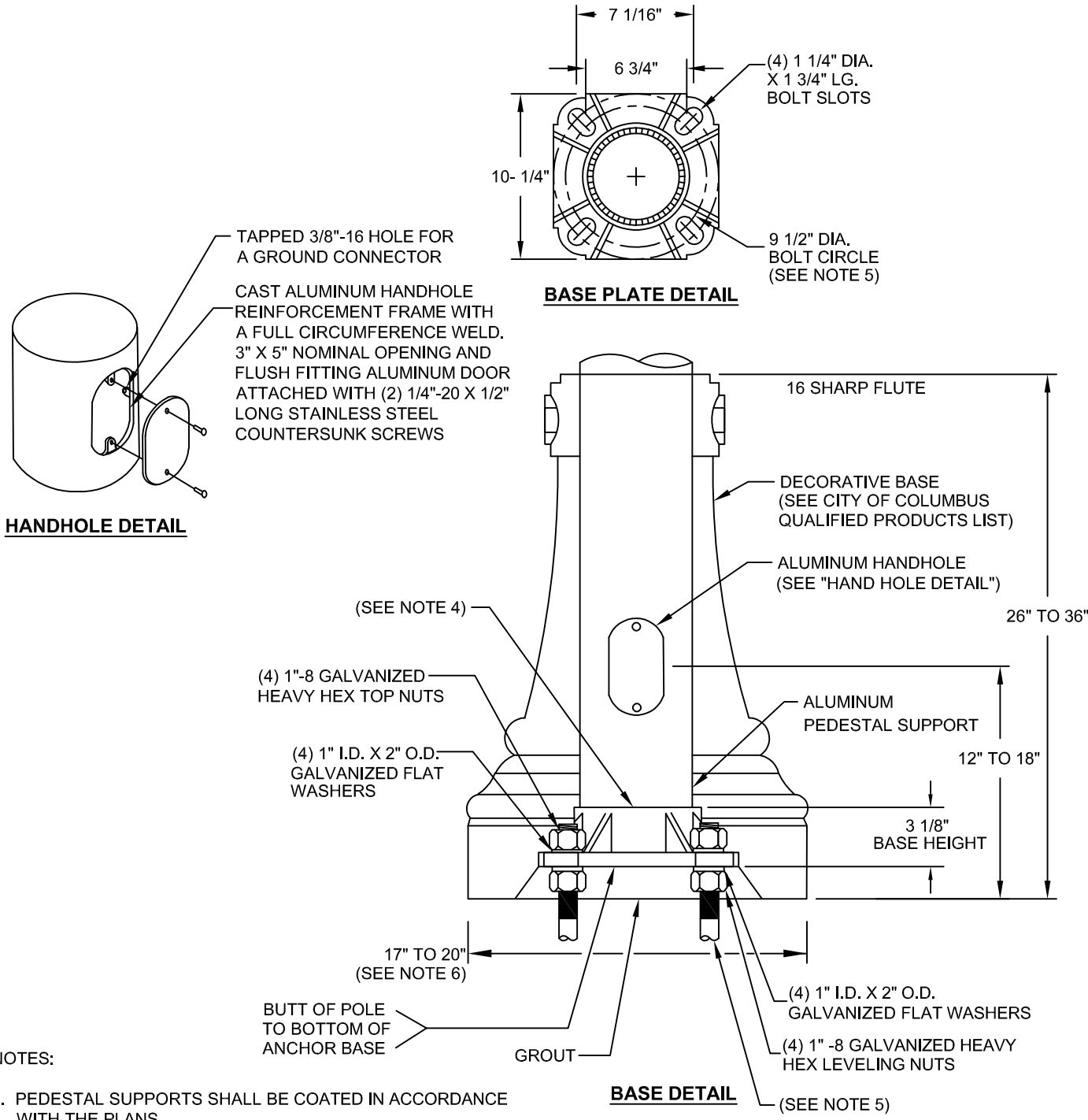
CITY OF COLUMBUS, OHIO  
DEPARTMENT OF PUBLIC SERVICE  
DIVISION OF DESIGN AND CONSTRUCTION

STD DWG  
**4106**

07/01/2020

CITY ENGINEER

SHT 1 OF 2



**NOTES:**

1. PEDESTAL SUPPORTS SHALL BE COATED IN ACCORDANCE WITH THE PLANS.
2. PEDESTAL SUPPORTS SHALL BE DESIGNED FOR 90 MPH WINDS, APPROPRIATE GUST FACTOR AND LOADING AS PER PLAN.
3. FOUR ANCHOR BOLTS SHALL BE INCLUDED WITH NUTS, LOCK WASHERS AND EIGHT (8) SHIMS.
4. THE POLE BASE SHALL TELESCOPE THE POLE SHAFT. THE BASE SHALL BE WELDED TO THE POLE SHAFT BY TWO CIRCUMFERENTIAL WELDS: ONE ON THE OUTSIDE OF THE POLE AT THE BASE TOP AND ONE ON THE INSIDE OF THE BASE AT THE POLE BOTTOM.
5. FOR FOUNDATION DETAILS SEE CITY OF COLUMBUS STANDARD DRAWING 4163.
6. A 17" DECORATIVE BASE SHALL BE USED FOR FOUNDATIONS WITH AN 18" SQUARE FORMED TOP.

<h1 style="margin: 0;">10.7' DECORATIVE PEDESTAL</h1>	
<p style="text-align: center; font-size: small;">CITY OF COLUMBUS, OHIO DEPARTMENT OF PUBLIC SERVICE DIVISION OF DESIGN AND CONSTRUCTION</p>	<p style="font-weight: bold; font-size: large;">STD DWG 4106</p>
<p style="text-align: center; font-size: x-small;">CITY ENGINEER</p>	<p style="font-size: x-small;">07/01/2020 SHT 2 OF 2</p>