

**Gate Installations
Park Control Measures**

Project Description

The Columbus Recreation and Parks Department is seeking quotes for the installation of three sets of gates. This will include the purchase, transportation and installation of the gates, per the included specification.

Gate installation sites and addresses included in the summary of work outline listed below.

Gates to be installed and fully functional at the completion of the projects. Work to include the restoration of the surrounding turf or landscaping that was disturbed during the completion of the three projects.

Summary of Work

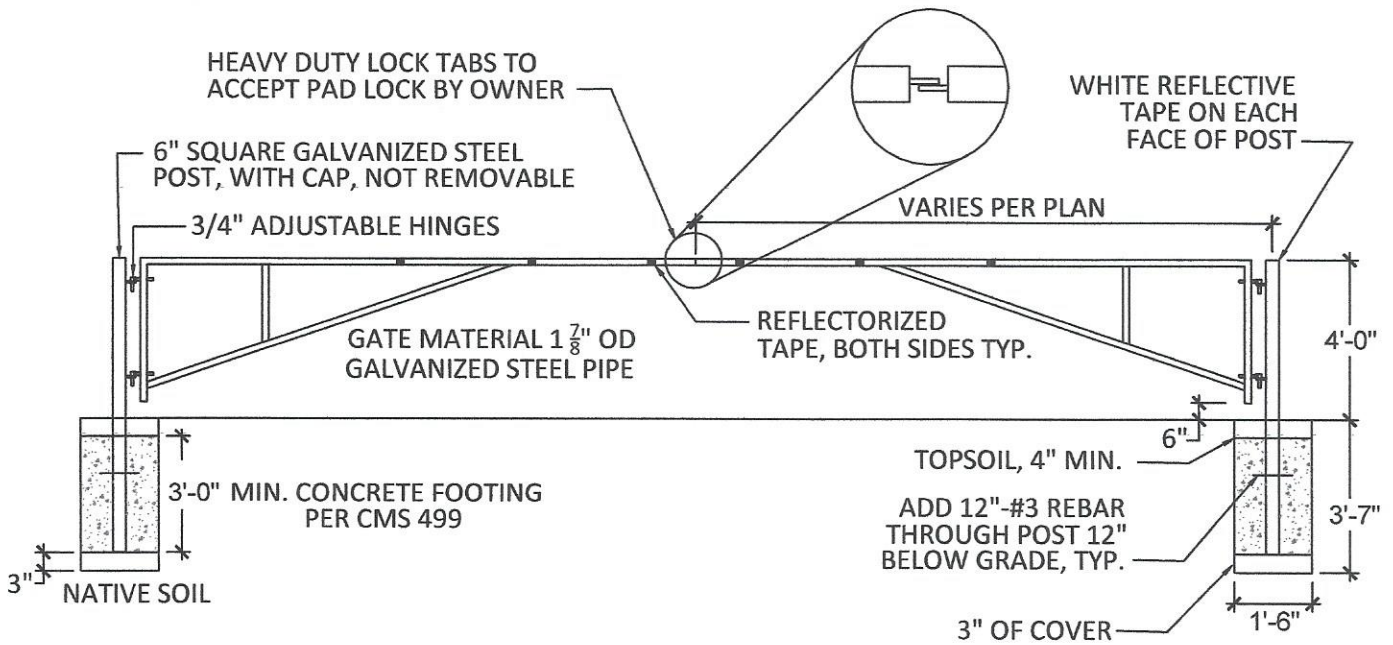
- Purchase, transport and installed three sets of gates, per the included specification.
- Work to include the removal of existing gate posts or wooden bollards at project locations. Contractor to properly dispose of all removed items off-site.
- Contractor to work with CRPD project manager to ensure the 811 call before you dig process is being followed.
- Location #1 – Big Walnut Park – 5000 E. Livingston Avenue – gate width is twenty five (25') feet.
- Location #2 – Rhodes Park – 1900 W. Broad Street – gate width is twenty eight (28') feet.
- Location #3 – Cooper Park – 5740 Cooper Road – gate width is twenty five (25') feet.
- Exact placement of gates at each location will be field verified with CRPD project manager.
- Work to be coordinated with CRPD project manager to ensure there is no conflicts with park programming.
- Work areas to be kept clean and safe for public use during the completion of projects.
- Sites to be restored as needed to eliminate any impacts to turf or landscaping.

Enclosures

- A. Dual Vehicle Gate Specification.
- B. Maps of all three installation locations.

Please contact David Stearns with any questions, dastearns@columbus.gov, (614) 645-3641

REVISIONS		
Date	Description	App'd



1 DUAL VEHICULAR GATE
SECTION NTS

GENERAL NOTES

- SUBMIT SHOP DRAWINGS FOR OWNER REVIEW AND APPROVAL.
- SUPPLY AND INSTALL ONE 6" TUBING TIE BACK POST WITH HOLDING PIN FOR EACH SIDE.
- DUAL GATES SHALL BE FOR WIDTHS FROM 20 TO 40 FEET.

STANDARD DRAWINGS



THE CITY OF
COLUMBUS
RECREATION AND PARKS

DUAL VEHICULAR GATE

DATE DRAWN 07/2022	BY DYN	SHEET 1 OF 1
-----------------------	-----------	-----------------

STANDARD DRAWING

500-505

Big Walnut Park: Gate Install Location



N

Rhodes Park: Gate Install Location



Existing posts,
installation location

GATE

0 7 14 21 28 35 US Feet

0 5 10 20 30 40 50 60 US Feet

N

Cooper Park: Gate Install Location

