

# General Specifications

FieldMate  
Versatile Device Management Wizard

**FieldMate** R3.04.20

GS 01R01A01-01E

## 1. Features

FieldMate is a PC based configuration tool that performs numerous tasks, including initial setup, daily maintenance, troubleshooting, and configuration backup for device replacement. These tasks are streamlined by FieldMate's intuitive operation and integrated environment, which is independent from communication protocols and device vendors.

Moreover off line database function for up to 500 devices which maintains a complete record for all device configuration and maintenance activities.

FieldMate incorporates the open FDT/DTM standard and is compliant with DTMs per the FDT1.2 and FDT2.0 simultaneously standard. FieldMate supports by Built-in DTM interpreting the existing Device Description (DD) instaneously, for other vendor's devices that do not have DTMs available.

The FDT frame is an integral part of FieldMate. Many DTMs are included with the FieldMate application, and additional DTMs are available from most field device vendors.

- \* FDT: (Field Device Tool) is a frame application that standardizes the communication and configuration interface between all field devices and host systems.
- \* DTM: (Device Type Manager) is the application which defines the Graphical User Interface (GUI) specific to the device.



\*PC is not included.

## 2. Functional Details

### ■ Communication Function

FieldMate supports the following communication protocols:

- HART
- BRAIN
- FOUNDATION fieldbus H1 \*1
- PROFIBUS
- ISA100.11a
- Modbus

\*1: FieldMate should connect to the devices in FOUNDATION fieldbus H1 segment without host system.



F001.ai

## ■ Device Interface Function

### ● Segment Viewer

Displays a list of devices currently connected on the communication lines, grouped by protocol. Basic device specific information is displayed depending on protocol (Device ID, Manufacturer ID, address, Device type, Device revision, and status). Segment Viewer supports HART, BRAIN, FOUNDATION fieldbus H1, PROFIBUS, ISA100.11a\*1, Modbus.

\*1 It displays either via gateway or infrared communication.

### ● Device Viewer

Displays the current status of the field device, including errors, warnings and good status. The status display icon (red, yellow, green) clearly indicates the device's self-diagnostic status. DeviceViewer supports HART, FOUNDATION fieldbus H1, ISA100.11a.

### ● Trend Graph Function

Displays the acquired data on a trend graph. This function is informative for the evaluation of the trend of the acquired data.

## ■ Configuration Function

Device parameters can be easily configured.

### ● HART device configuration

Easy interface named "Simple DTM" is provided for device configuration and adjustment in the field.

### ● BRAIN device configuration

With the same screens and operations as the BT200 (BT200 tablet function), field engineers can configure and adjust BRAIN devices without changing traditional procedures.

In addition, the BT200 print operation will not be required in the field by saving the device parameter information in FieldMate.

### ● Parameter Manager

The Parameter Manager is a simple parameter viewing window, in which adjustment and field device configuration can easily be performed. Parameter Manager supports HART, FOUNDATION fieldbus H1, ISA100.11a.

### ● DTM Works

The DTM Works provides not only configuration, but easy setup, calibration, simulation wizards etc. as defined by the device vendors' DTM. DTM Works supports HART, BRAIN, FOUNDATION fieldbus H1, PROFIBUS, ISA100.11a, Modbus.

### ● DD Menu

The existing fieldbus DD is utilized to enable function block configuration. DD Menu supports FOUNDATION fieldbus H1.

### ● Zero Adjustment

The Zero Adjustment function is executed from Segment Viewer with one-click. This function supports YOKOGAWA Differential pressure transmitters (HART, BRAIN, FOUNDATION fieldbus H1).

### ● All Parameters Acquisition

This function obtains all parameters from device with one-click. Obtained parameters can be compared with recorded parameters and then displayed the difference. Recorded parameters and comparison result can export in various formats (text, HTML etc.).

## ■ Database Function

### ● Device Maintenance Info.

Provides advanced maintenance information consisting of:

- Device Information
- Sticky Note
- Images
- History
- Parameter (All Parameters of Device, ZERO Adjustment Parameters of Device)
- Attachment (Memo, Document, Parameter Manager Data, DTM Data)

All information can be exported / imported.

### ● Device Navigator

Shows all registered devices and provides a searching function by tag, device name, memo, etc.

\* Online registration and offline registration can directly be implemented from Segment Viewer/Device Navigator. (Up to approx. 500 devices can be registered) Marking it with flags to remind users of outstanding issues etc., simplifying daily maintenance.

## ■ History Function

FieldMate Operation log are automatically recorded.

- Date & Time
- Device Tag
- Device ID
- User
- Source: DTM works, DD Menu, Parameter Manager, etc.
- Category: Configuration (device parameter change) and System (logs of login, etc.).
- Message: Details log of changes

### ● Device Status View

Displays the history of the device alarms.

## ■ Input Loop Check Support

This function is to output test signal from device. Some test pattern(Ex. 3 point check / 5 point check) and signal value can create easily. This test pattern can be saved and read. Any device can be operated through the same user interface - regardless supplier, type or communication protocol (HART, BRAIN).

## ■ 3rd Party DTM Function

This function provides device interface in compliance with FDT standard, enabling the features defined by the device vendor's DTM.

## ■ Pressure Calibration Support Function

Guides the calibration work in combination with CA700 pressure calibrator.

This function provides the efficient calibration work by monitoring the pressure value and the current value in real time. Also, the high precision calibration work is provided by automatic recording calibration data. The calibration result can be outputted as calibration report. Pressure Calibration Support Function supports BRAIN, HART and devices not covered by FieldMate.

■ **FLXA402/SA11 Calibration Management**

The dedicated screen is prepared for the new 4-Wire Converter *FLXA402* and the *SENCOM™* Smart adapter *SA11* and supported the following functions.

● **Local Display system for *FLXA402***

It can be connected to the *FLXA402* via the dedicated interface (\*1), and the measured value / set value / history display of *FLXA402* can be displayed with graphical display and comfortable operability.

● **Direct access system for *SA11***

It connects directly to *SA11* and can perform calibration work for the sensor (*SA11*) and setting parameter management in work space other than the site. (\*2)

\*1: The target *FLXA402* must support Bluetooth, Modbus RTU (RS-485), or Ethernet Modbus TCP/IP.

\*2: The Bluetooth interface box IB100 is required.

■ **Field Diagnostic Function**

NAMUR NE107 is a recommendation to categorize alarms into four status signals (Failure, Function Check, Out of Specification and Maintenance Required), this allows for reliable operation, more efficient planning of maintenance and higher confidence in the instruments operation.

The classification, configuration and status of many device alarms that conform to NE107 can be easily checked, changed and monitored by Field Diagnostic Function.

(It supports FOUNDATION fieldbus H1 and Profibus)

■ **3rd Party COMM DTM support**

Provides advanced connections and communication networking enabling:

- Access PROFIBUS-PA/DP devices
- Access HART devices via PROFIBUS
- Access 3rd Party multiplexers.

User defined communication topology can be saved in FDT project.

■ **Serial Number Acquisition**

Applicable device: HART EJX and EJA series  
Acquires serial number of the device and updates it in the Device Maintenance Information. Also exports the following information to a file.

- Serial Number
- Device Tag
- Device ID
- Device Revision
- Model and Suffix Code

■ **AXF Verification Tool (VF option)**



Verifies Magnetic flowmeters (AXF) and supports two types of verification. One is standard verification to verify it without having to disconnect from a process line. And another is enhanced verification to verify it more precise than standard one. The Verification result can be printed and stored in the Device Maintenance Information.

Applicable device: HART Magnetic Flowmeter AXF series

Necessary other items for Enhance verification: AM012 Magnetic Flow Converter, CA150 HANDY CAL (or equivalent device) and Insulation checker

■ **PRM (Plant Resource Manager) Synchronization**

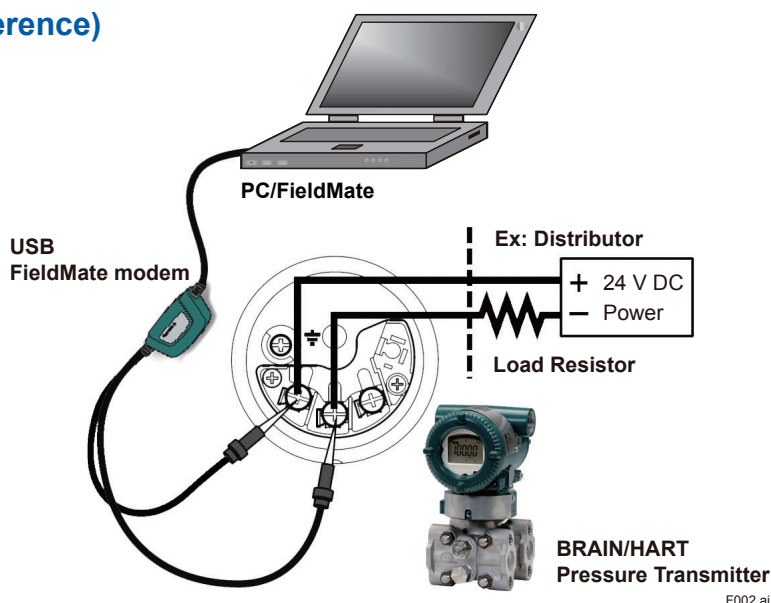
Synchronizes information between FieldMate and PRM to make use of PRM as a master data base. Bi-directional file transfer operation is supported.

### 3. Connection Example (for reference)

Sample of connecting BRAIN/HART pressure transmitter.

#### [Required Components]

- BRAIN/HART Pressure Transmitter.
- 24 V DC Power supply
- Load Resistor (250Ω ±10%)
- USB FieldMate Modem: BRAIN/HART



F002.ai

### 4. System Requirements

Software Operating Environment		
OS		Windows 10 Pro/Home 32bit/64bit (version 20H2, 21H1, 21H2) Windows 10 Enterprise 32bit/64bit (version 1909, 20H2, 21H1, 21H2) Windows 11 Pro/Home/Enterprise (version 21H2)
OS Language		English, Japanese, Chinese (simplified), German, French, Russian
Hardware Operating Environment		
CPU		1gigahertz (GHz) or faster processor
Main Memory		2GB or more
Hard disk space		4GB or more
Optical Disk Drive		DVD/CD-ROM drive
Display		1024×768 or better resolution recommended
Network Port		
BRAIN HART	Interface	One USB port USB2.0 standard
	Modem	USB FieldMate Modem: BRAIN/HART (Yokogawa Option)
FOUNDATION fieldbus H1 *1	Interface	One USB port USB2.0 standard
	Interface board	NI USB-8486 (National Instruments)
	Driver	NI-FBUS Communications Manager 15.0 or later
PROFIBUS	Interface	One USB port USB2.0 standard
	Interface card	PBpro USB (Softing)
	commDTM & driver	PROFIdtm V2.11.01 or later Driver V5.46.8 or later
	DP/PA coupler	KFD2-BR-A.PA.93 (PEPPERL+FUCHS) 6ES7 157-0AC80-0XA (SIEMENS)
HART	Interface	Bluetooth 2.0
	Modem	VIATOR® Bluetooth® Interface: Model 010041 (MACTek®) *2
ISA100.11a *3	Interface	One USB port USB2.0 standard
	Modem	Infrared Adapter : ACT-IR224UN-LN96-LE 9600bps (ACTiSYS) *4
	Driver	Version 1.5.0 / Version 1.12.0 *6
ISA100.11a *5	Interface	One Ethernet port

For Modbus communication, prepare an interface separately.

Communication performance depends on environment and interface you select.

- \*1 FieldMate should connect to the devices in FOUNDATION fieldbus H1 segment without host system
- \*2 Microsoft supplied Bluetooth stack is used
- \*3 ISA100.11a OOB infrared communication
- \*4 Holder for Infrared Adapter is available (recommended): Gorillamobile Original: GM1 (JOBY, Inc).
- \*5 ISA100.11a communication via gateway
- \*6 Version 1.5.0 driver is used for PL2303 HA/HXA chip and Version 1.12.0 driver is used for PL2303TA chip

## 5. Model and Suffix Codes

Field device management software package: FieldMate Release: R3.04.20

### MODEL, SUFFIX CODES

Model	Suffix Codes	Description	Remarks
<b>FSA111</b>	.....	FieldMate	
License	<b>-S</b> .....	Single PC license	License number issued
—	<b>1</b> .....	Always 1	
Language	<b>1</b> .....	Always 1 *2	
Option Code (1)	<b>/B</b> .....	USB FieldMate Modem	BRAIN/HART
Option Code (2)	<b>/VF</b> .....	AXF Verification Tool	

CD-ROM (FieldMate Software Media): F9197DS \*1

DVD-ROM (Device Files Media): F9197DT \*1

USB FieldMate Modem (BRAIN and HART protocols): F9197UF

\*1 Replacement disk only

\*2 With an English Windows OS, FieldMate English can be installed.

With the following Windows OS, either FieldMate with the following language or FieldMate English can be installed.  
Japanese, Chinese (simplified), German, French, Russian

#### ● Upgrading from R2 to R3

- Upgrading from FieldMate Basic to FieldMate R3

Model	Suffix Codes	Description
<b>FRA110</b>	.....	Upgrade from FieldMate Basic to R3
License	<b>-S</b> .....	Single PC license
—	<b>1</b> .....	Always 1
Language	<b>1</b> .....	Always 1

Notice: R2 license number needs to be stated on placing order

- Upgrading from FieldMate Advance to FieldMate R3

Model	Suffix Codes	Description
<b>FRA111</b>	.....	Upgrade from FieldMate Advance to R3
License	<b>-S</b> .....	Single PC license
—	<b>1</b> .....	Always 1
Language	<b>1</b> .....	Always 1
Option Code	<b>/VF</b> .....	From R2.x without Verification Tool to R3 with /VF option
	<b>/VFN</b> .....	From R2.x with /VF option to R3. with /VF option

Notice: R2 license number needs to be stated on placing order

## 6. External View

External view of USB FieldMate modem: BRAIN/HART

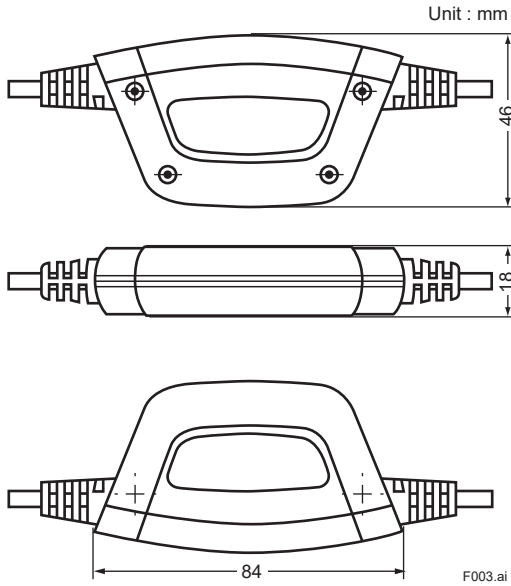


Fig. 3: USB FieldMate Modem

Total cable length: Approximately 2.3 m

Technical Specifications	USB Interface
SOFTWARE	
USB Interface	USB2.0 standard *1
ELECTRICAL	
Power Supply	System powered by USB Port
Supply Current	40mA@ + 5 V
Pins to Computer	USB Type-A connector
Pins to Device	2-pin, polarity insensitive Mini-grabber test clips. Detachable alligator clips additionally
Isolation (DC)	1910 VDC between instrument and computer
Isolation (AC)	1350 Vrms (50Hz)
ENVIRONMENTAL	
Operating Temperature	0 °C to 55 °C
Storage Temperature	-40 °C to 70 °C
Storage Humidity	0% to 95% relative humidity
PHYSICAL DIMENSIONS	
Enclosure	84 x 46 x 18 mm, ABS industrial enclosure
Device Interface Cable	190 cm, 2-conductor terminating with two mini grabber clips
USB Cable	27 cm cable terminating in a USB type A connector

\*1: USB2.0 also covers USB1.1

## EMC Conformity Standards CE, RoHS, ENEC, EAC

- CE  
EN61326-1 Class A, Table1  
RoHS directive: EN IEC 63000
- KC Mark  
Registration No: MSIP-REM-YHQ-EEN441
- RCM  
EN61326-1 Class A, Table1
- EAC  
TP TC 020/2011

## 7. Included Items

FieldMate includes the following items:

### <Product>

- CD-ROM: FieldMate Software Media
- DVD-ROM: Device Files Media
- USB FieldMate modem: BRAIN/HART communication (optional)

### <Documentation>

- License number sheet
- Getting Started
- Safety Instruction Manual
- \* Safety Instruction Manual is for USB FieldMate modem.

Please download User's Manual via Yokogawa web site.

<http://www.yokogawa.com/fieldmate/>

## 8. Items Contained in Media

### ■ Items contained in the Media of FieldMate:

CD-ROM: FieldMate Media

- FieldMate Program
- USB modem driver

DVD-ROM: Device Files Media

- Device DTM for Yokogawa devices
  - BRAIN
  - FOUNDATION fieldbus H1
  - HART
  - PROFIBUS
  - ISA100.11a
  - Modbus
- Device DTM for the HART devices \*1
- Built-in DTMs (DTM interprets DD and works right straight.)
  - FOUNDATION fieldbus H1
  - HART
  - ISA100.11a
- DD for the FOUNDATION fieldbus H1 devices \*1
- DD for the HART devices \*1

\*1: Devices registered with FieldCom Group, some DTM or DD may not be included.

Remarks:

Yokogawa certifies the quality and operability only of DD and DTM which have been registered by Yokogawa.

---

## 9. Compatibility

Compatibility between FieldMate and Device Files is indicated on the web site at the following URL.  
For more information, see the "System Requirements".  
<http://www.yokogawa.com/fieldmate/>

## 10. User Registration

FieldMate can be installed on a single PC using the license number provided. FieldMate can be used for up to 30 days without registration.

For permanent installation, user registration is required. After registration an Activation Key is provided to the user. User registration can be done on the FieldMate User Registration web site.

<https://partner.yokogawa.com/global/fieldmate/>

The items required for user registration are the license number and Hard Disk serial number (Volume Serial Number) of the PC to which FieldMate is installed.

## 11. Trademarks

All brand or product names of Yokogawa Electric Corporation in this document are trademarks or registered trademarks of Yokogawa Electric Corporation.

All other company brand or product names in this document are trademarks or registered trademarks of their respective holders.